



PG-08 (Double-pallet): Shown with optional diamond-plate landing



Mezzanine Safety Gate Pivot Gate Model

The Protect-O-Gate Pivot Gate's patented, double-gate design eliminates the potential for falls and other accidents associated with mezzanine loading areas.

The Pivot Gate's enclosed work station eliminates the need for unsafe conventional devices, such as chains or other single-gate designs.

Features

Pivot Safety Gates have many unique features:

- Patented, durable design
- Easy access to staging area
- Can ship fully assembled
- Carbon or Stainless steel
- 4" toe plate on ledge side
- Counterbalanced for easy operation
- Single and Double-Pallet models
- Custom sizing available

Dimensions

Single-Pallet Model (PG-04)

Interior Dimensions (clearance):

56"W x 54.5"D x 66.5"H

Exterior Dimensions:

68"W x 63.25"D x 82"H

Double-Pallet Model (PG-08)

Interior Dimensions (clearance):

108"W x 54.5"D x 66.5"H

Exterior Dimensions:

120"W x 63.25"D x 82"H

Finishes

- Painted safety yellow
- Corrosion resistant finish
- Stainless steel

Engineering

All Protect-O-Gate Industrial Safety Gates can be customized to meet your specific application.

Contact your sales representative for more information!



Shown: PG-04, Single-Pallet Model



Manufactured by:

BENKO PRODUCTS
ENGINEERED TO BE MORE

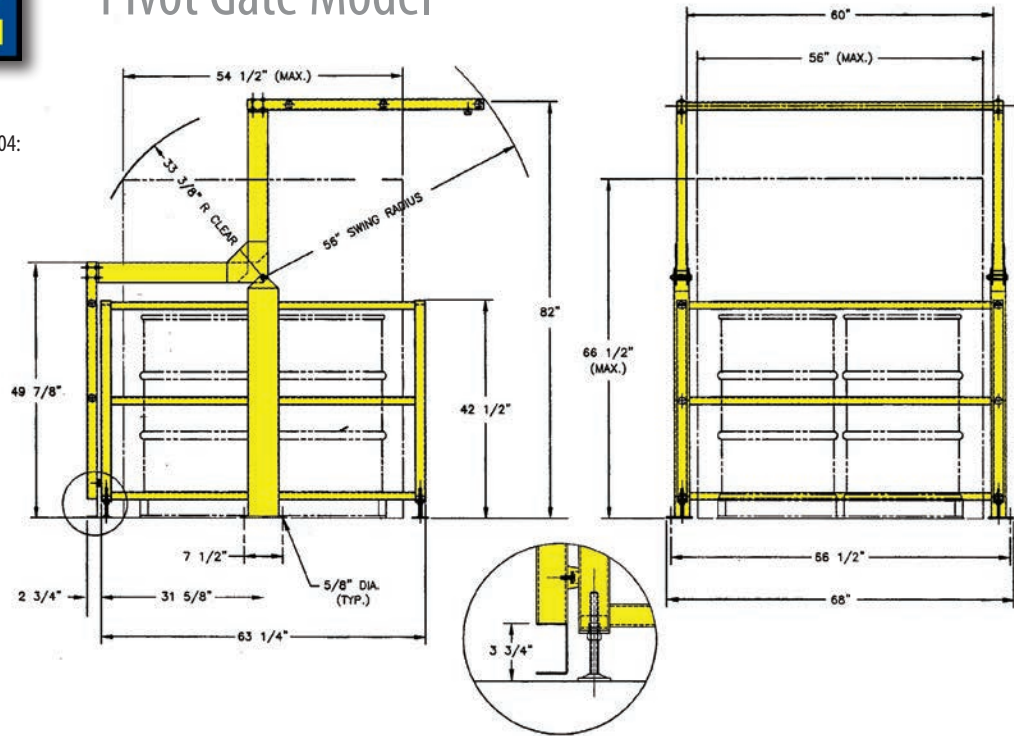
Benko Products Inc. · 5350 Evergreen Pkwy · Sheffield Village, Ohio · 44054
Phone (440) 934-2180 · Fax (440) 934-4052 · email: sales@benkoproducts.com
www.benkoproducts.com



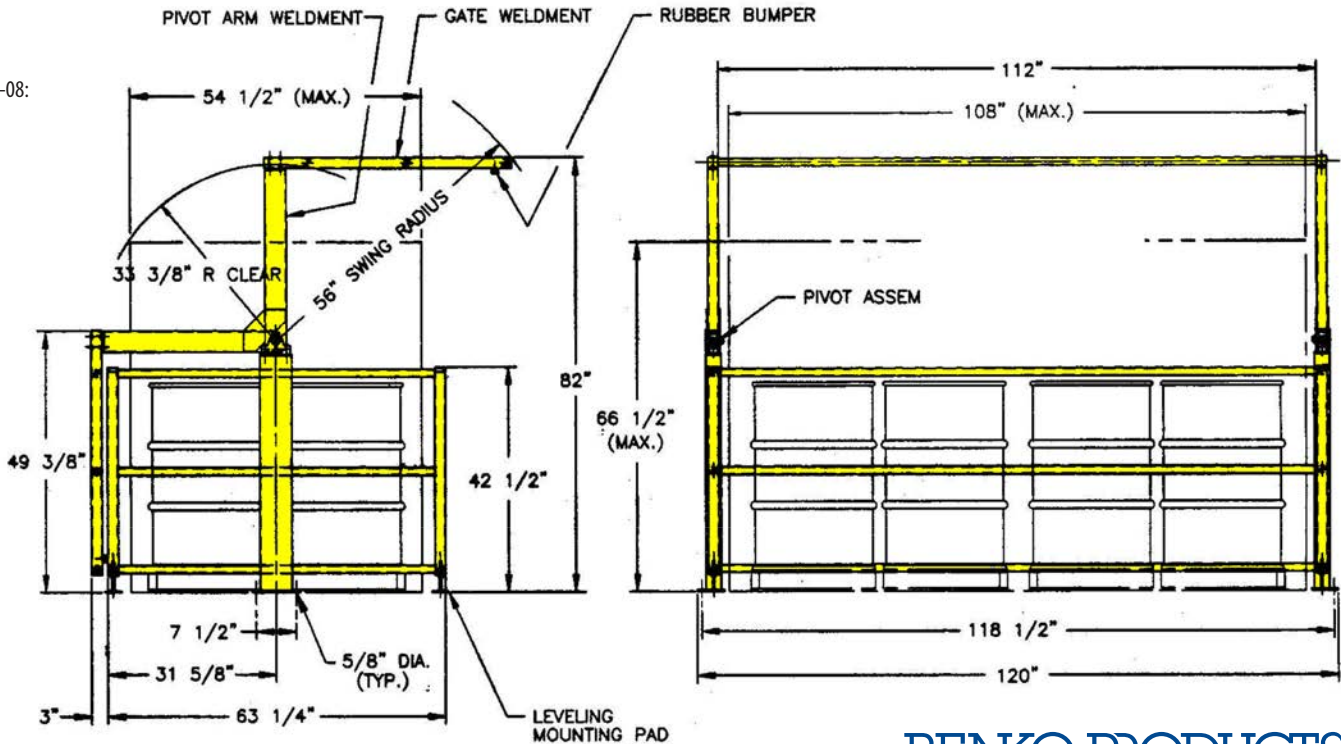
Mezzanine Safety Gate

Pivot Gate Model

PG-04:



PG-08:



BENKO PRODUCTS
ENGINEERED TO BE MORE

WARRANTY: All products manufactured by Benko Products, Inc. have a one (1) year warranty (unless otherwise specified) from the date of shipment against defects in workmanship or material. Any part or component, except items covered by warranties of other manufacturers, returned to the factory or service center freight prepaid by the owner, found upon examination by Benko Products, Inc. to be defective or the result of improper workmanship by the factory will be repaired or replaced without charge and returned to the owner freight prepaid by Benko Products, Inc. Any alterations of Benko Products, Inc. products void any warranty or liability on the part of Benko Products, Inc. Benko Products, Inc. does not guarantee product capacity if alterations are made.