

Sahara

INDUSTRIAL OVENS

Electric Hot Box Model E2

The Benko Products SAHARA HOT BOX drum heaters and ovens are recognized as the industry leader in 55-gallon drum heating equipment. Electric drum heaters feature state-of-the-art digital controls with independent over-temperature protection. Low-watt density heaters assure years of trouble-free operation.



(Model E2 shown with custom, optional heating chamber)

Specifications

The Hot Box has many unique features:

- Precise digital temperature control with overtemperature protection
- Portable; just pick-up with a forklift
- Built-in spill containment
- Zero-ground clearance available.
- **3-year Manufacturer's warranty.**

Capacity

2 drums (55 gal.)
2,000 lbs. total capacity

Materials of Construction

- All steel construction includes:
- 12 gauge interior walls and 14 gauge exterior walls
 - Integrated framing and structural members ensure toughness
 - 304 stainless steel construction available

Dimensions

Interior dimensions:
57.5"W x 29.25"D x 49"H
Exterior dimensions:
66"W x 36"D x 84.5"H

Insulation

3" thick, 6# density mineral wool

Heating Medium

Electricity

Heat Exchanger

- 6KW (optional kw ratings available)
- 240 or 480 volt, 3 phase (additional voltages available)
- Digital temperature controller with independent high temperature cut off

Temperature Range

Room temperature to 300°F

Spill Containment Pan

28 gallon capacity

Finish

- Exterior finished with acrylic enamel
- Interior finished with heat resistant finish
- Stainless steel available
- Outdoor use option

Weight

1,300 lbs.

Installation

Shipped completely assembled.
Set in place and hook up power supply

Air Circulation

330 cfm air circulation blower with controls; 1/3 HP, TEFC

* Electric models not to be used to heat flammable or combustible materials.

* Electric models are not explosion proof rated and should not be used in hazardous locations.

* Class A ovens available for heating flammables.



Designed and
Manufactured by:

BENKO PRODUCTS
ENGINEERED TO BE MORE

Benko Products Inc. · 5350 Evergreen Pkwy · Sheffield Village, Ohio · 44054
Phone (440) 934-2180 · Fax (440) 934-4052 · email: sales@benkoproducts.com
www.benkoproducts.com

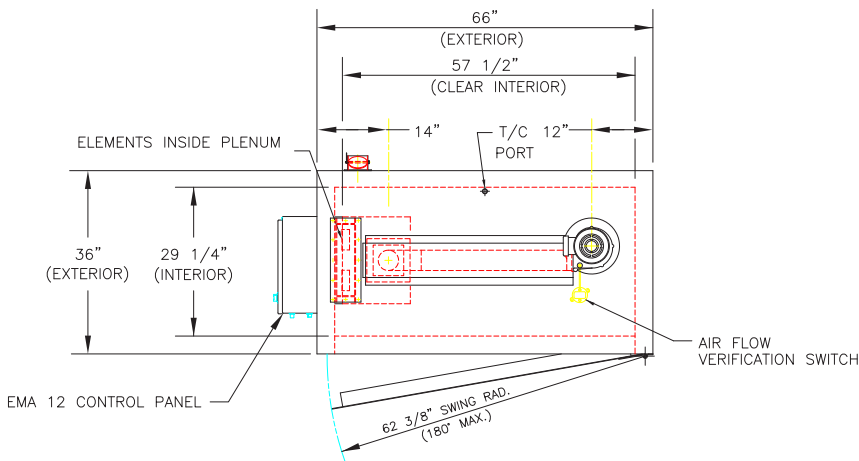


Also available with 'zero-ground clearance' design for pallet-jack loading / unloading.

Electric Hot Box

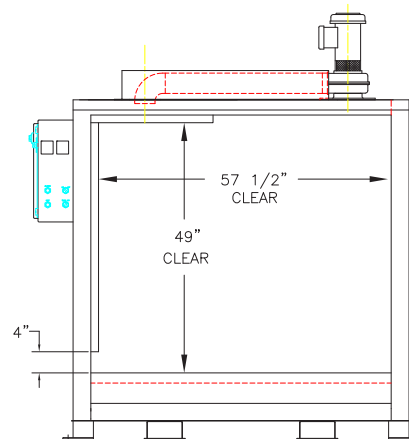
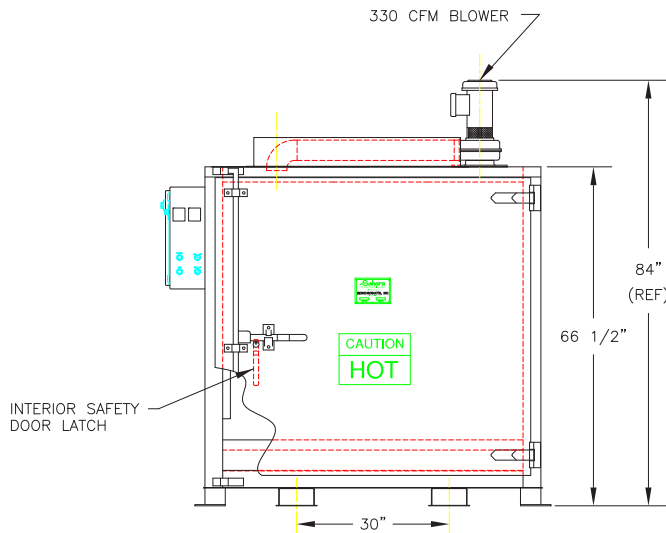
Model E2

SAHARA MODEL 6E2-CS



NOTES:

1. UNIT WEIGHT: 1300 Lbs. (AS SHOWN)
2. FINISH:
EXTERIOR: ACRYLIC ENAMEL
INTERIOR: HIGH HEAT BLACK
3. HEATING MEDIUM:
(2) 3.0KW ELECTRIC HEATING ELEMENTS
480V/3Ø/60HZ
4. SPILL CONTAINMENT: 14 GALLONS
5. MATERIALS:
EXTERIOR: HRS, 14 GA. (.075")
INTERIOR: HRS, 12 GA. (.105")
FORMED CHANNEL GRATING
INSULATION: 3" X 6# DENSITY MINERAL WOOL
(ALL WALLS, FLOOR, CEILING AND DOOR)
6. OPTIONS:
330 CFM BLOWER (SHOWN)
480V/ 0.33 HP/3 PHASE
4" VENT WITH DAMPER
INTERIOR SAFETY DOOR LATCH
NEMA 12 CONTROL ENCLOSURE:
TEMP CONTROL
OVER TEMP CONTROL
BLOWER CONTROL



WARRANTY: All products manufactured by Benko Products, Inc. have a three (3) year warranty (unless otherwise specified) from the date of shipment against defects in workmanship or material. Any part or component, except items covered by warranties of other manufacturers, returned to the factory or service center freight prepaid by the owner, found upon examination by Benko Products, Inc. to be defective or the result of improper workmanship by the factory will be repaired or replaced without charge and returned to the owner freight prepaid by Benko Products, Inc. Any alterations of Benko Products, Inc. products void any warranty or liability on the part of Benko Products, Inc. Benko Products, Inc. does not guarantee product capacity if alterations are made.