

# Sahara

## INDUSTRIAL OVENS

### Electric Hot Box Model E08

The Benko Products SAHARA HOT BOX drum heaters and ovens are recognized as the industry leader in 55-gallon drum heating equipment. Electric drum heaters feature state-of-the-art digital controls with independent over-temperature protection. Low-watt density heaters assure years of trouble-free operation.



#### Specifications

- The Hot Box has many unique features:
- Zero-ground clearance for pallet-jack loading / unloading
  - Precise digital temperature control with overtemperature protection
  - **3-year Manufacturer's warranty.**

#### Capacity

8 drums (55 gal.) or 2 totes

#### Materials of Construction

- All steel construction includes:
- 12 gauge interior walls and 14 gauge exterior walls
  - Integrated framing and structural members ensure toughness
  - 304 stainless steel construction available

#### Dimensions

Interior dimensions:  
111.75"W x 55.25"D x 60"H  
Exterior dimensions:  
118.75"W x 62"D x 81"H

#### Insulation

3" thick, 6# density mineral wool

#### Heating Medium

Electricity

#### Heat Capacity

- 18KW (optional kw ratings available)
- 240 or 480 volt, 3 phase (additional voltages available)
- Digital temperature controller with independent high temperature cut off

#### Temperature Range

Room temperature to 350°F

#### Finish

- Exterior finished with acrylic enamel
- Interior finished with heat resistant finish
- Stainless steel available

#### Weight

3,175 lbs.

#### Installation

Shipped completely assembled.  
Set in place and hook up power.

#### Air Circulation

2000 cfm air circulation blower with controls; 2 HP, TEFC

\* Electric models not to be used to heat flammable or combustible materials.

\* Electric models are not explosion proof rated and should not be used in hazardous locations.

\* Class A ovens available for heating flammables.



Designed and  
Manufactured by:

**BENKO PRODUCTS**  
ENGINEERED TO BE MORE

Benko Products Inc. · 5350 Evergreen Pkwy · Sheffield Village, Ohio · 44054  
Phone (440) 934-2180 · Fax (440) 934-4052 · email: sales@benkoproducts.com  
[www.benkoproducts.com](http://www.benkoproducts.com)

# Sahara

## INDUSTRIAL OVENS

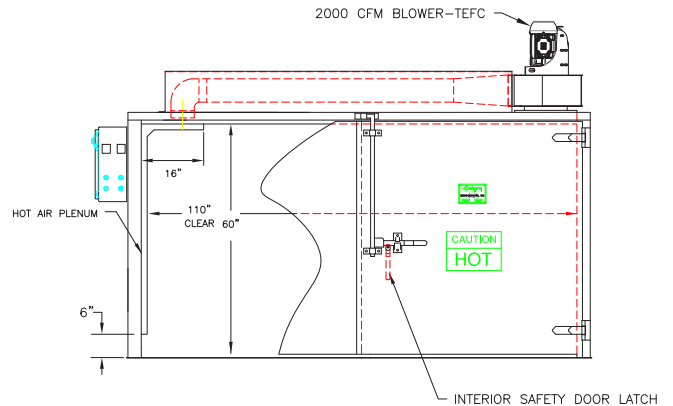
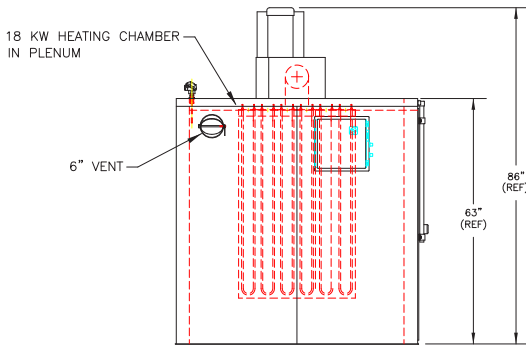
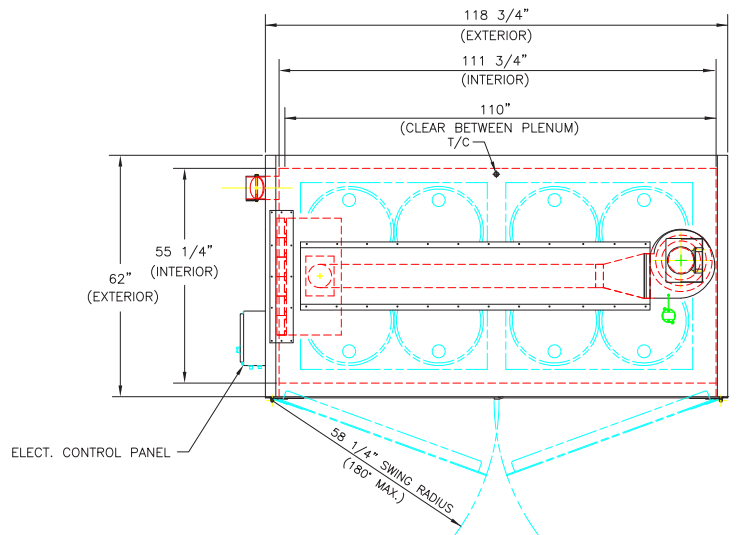
### Electric Hot Box

#### Model E08

SAHARA MODEL 18E08-CS

NOTES:

1. UNIT WEIGHT: 3000 Lbs.
2. FINISH:  
EXTERIOR: ACRYLIC ENAMEL  
INTERIOR: HIGH HEAT BLACK
3. HEATING MEDIUM:  
(6) 3.0KW ELECTRIC HEATING ELEMENTS  
480V/3Ø/60HZ
4. SPILL CONTAINMENT: NONE
5. MATERIALS:  
EXTERIOR: HRS, 14 GA. (.075")  
INTERIOR: HRS, 12 GA. (.105")  
INSULATION: 3" X 6# DENSITY MINERAL WOOL  
(ALL WALLS, FLOOR, CEILING AND DOORS)
6. OPTIONS:  
2000 CFM BLOWER-TEFC  
480V - 2 HP - 3 PHASE  
6" VENT WITH DAMPER  
INTERIOR SAFETY DOOR LATCH



**BENKO PRODUCTS**  
ENGINEERED TO BE MORE

**WARRANTY:** All products manufactured by Benko Products, Inc. have a three (3) year warranty (unless otherwise specified) from the date of shipment against defects in workmanship or material. Any part or component, except items covered by warranties of other manufacturers, returned to the factory or service center freight prepaid by the owner, found upon examination by Benko Products, Inc. to be defective or the result of improper workmanship by the factory will be repaired or replaced without charge and returned to the owner freight prepaid by Benko Products, Inc. Any alterations of Benko Products, Inc. products void any warranty or liability on the part of Benko Products, Inc. Benko Products, Inc. does not guarantee product capacity if alterations are made.