

# Sahara

## INDUSTRIAL OVENS

### Electric Hot Box Model E04

The Benko Products SAHARA HOT BOX drum heaters and ovens are recognized as the industry leader in 55-gallon drum heating equipment. Electric drum heaters feature state-of-the-art digital controls with independent over-temperature protection. Low-watt density heaters assure years of trouble-free operation.



#### Specifications

The Hot Box has many unique features:

- Zero-ground clearance for pallet-jack loading / unloading
- Precise digital temperature control with overtemperature protection
- **3-year Manufacturer's warranty.**

#### Capacity

4 drums (55 gal.) or 1 tote  
4,000 lbs. total capacity

#### Materials of Construction

All steel construction includes:

- 12 gauge interior walls and 14 gauge exterior walls
- Integrated framing and structural members ensure toughness
- 304 stainless steel construction available

#### Dimensions

Interior dimensions:

57.5"W x 55.75"D x 60"H

Exterior dimensions:

66"W x 62"D x 81"H

#### Insulation

3" thick, 6# density mineral wool

#### Heating Medium

Electricity

#### Heat Capacity

- 9KW (optional kw ratings available)
- 240 or 480 volt, 3 phase (additional voltages available)
- Digital temperature controller with independent high temperature cut off

#### Temperature Range

Room temperature to 300°F

#### Finish

- Exterior finished with acrylic enamel
- Interior painted with heat resistant finish
- Stainless steel available

#### Weight

2,000 lbs.

#### Installation

Shipped completely assembled. Set in place and hook up power.

#### Air Circulation

1020 cfm air circulation blower with controls; 3/4 HP, TEFC. Roof mounted

\* Electric models not to be used to heat flammable or combustible materials.

\* Electric models are not explosion proof rated and should not be used in hazardous locations.

\* Class A ovens available for heating flammables.

\* CSA labeling available



Designed and  
Manufactured by:

**BENKO PRODUCTS**  
ENGINEERED TO BE MORE

Benko Products Inc. · 5350 Evergreen Pkwy · Sheffield Village, Ohio · 44054  
Phone (440) 934-2180 · Fax (440) 934-4052 · email: sales@benkoproducts.com  
[www.benkoproducts.com](http://www.benkoproducts.com)

# Sahara

## INDUSTRIAL OVENS

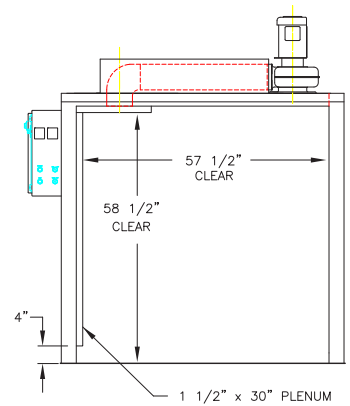
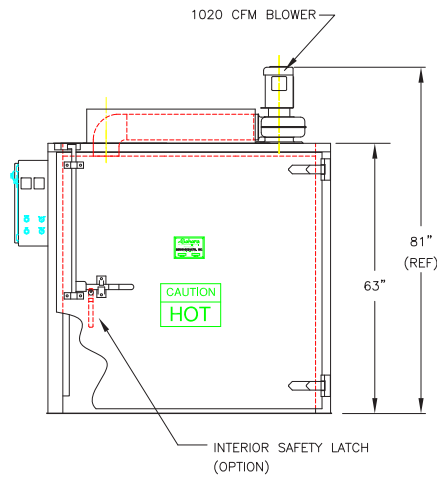
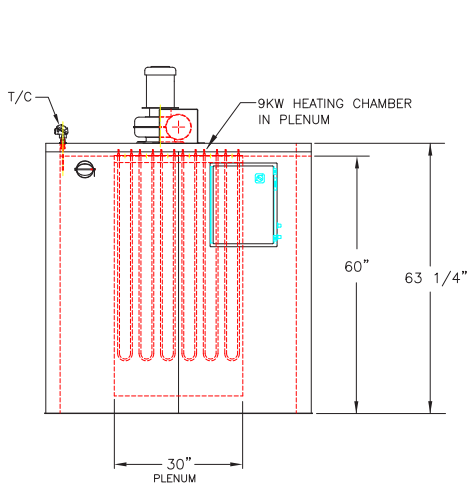
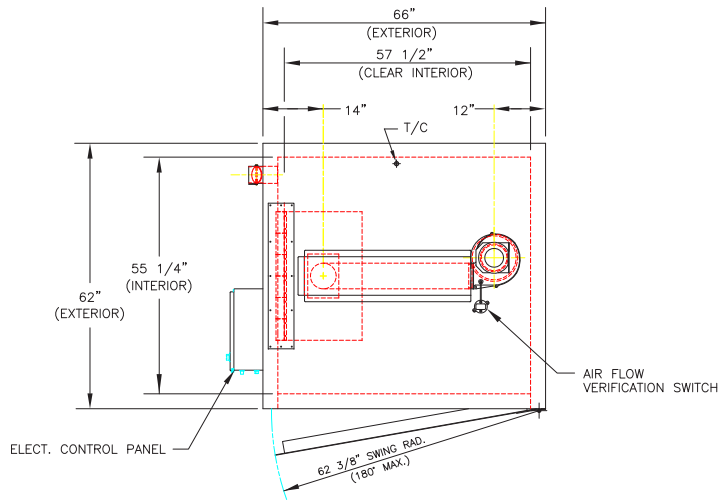
### Electric Hot Box

#### Model E04

SAHARA MODEL 9E04-CS, 240V OR 480V

**NOTES:**

1. UNIT WEIGHT: 2000 Lbs. (AS SHOWN)
2. FINISH:  
EXTERIOR: ACRYLIC ENAMEL  
INTERIOR: HIGH HEAT SILICONE BLACK
3. HEATING MEDIUM:  
(6) 1.5KW ELECTRIC HEATING ELEMENTS  
480V/3Ø/60HZ
4. SPILL CONTAINMENT: NONE
5. MATERIALS:  
EXTERIOR: HRS, 14 GA. (.075")  
INTERIOR: HRS, 12 GA. (.105")  
FORMED CHANNEL GRATING  
INSULATION: 3" X 6# DENSITY MINERAL WOOL  
(ALL WALLS, CEILING AND DOOR)
6. OPTIONS:  
1020 CFM BLOWER (SHOWN)  
240V OR 480V - 3/4 HP - TEFC  
4" VENT W/DAMPER (OPTION)  
INTERIOR SAFETY LATCH (OPTION)



**BENKO PRODUCTS**  
ENGINEERED TO BE MORE

**WARRANTY:** All products manufactured by Benko Products, Inc. have a three (3) year warranty (unless otherwise specified) from the date of shipment against defects in workmanship or material. Any part or component, except items covered by warranties of other manufacturers, returned to the factory or service center freight prepaid by the owner, found upon examination by Benko Products, Inc. to be defective or the result of improper workmanship by the factory will be repaired or replaced without charge and returned to the owner freight prepaid by Benko Products, Inc. Any alterations of Benko Products, Inc. products void any warranty or liability on the part of Benko Products, Inc. Benko Products, Inc. does not guarantee product capacity if alterations are made.