

Sahara

INDUSTRIAL OVENS

Electric Hot Box Model E012

The Benko Products SAHARA HOT BOX drum heaters and ovens are recognized as the industry leader in 55-gallon drum heating equipment. Electric drum heaters feature state-of-the-art digital controls with independent over-temperature protection. Low-watt density heaters assure years of trouble-free operation.



Specifications

- The Hot Box has many unique features:
- Zero-ground clearance for pallet-jack loading / unloading
 - Precise digital temperature control with overtemperature protection
 - **3-year Manufacturer's warranty.**

Capacity

12 drums (55 gal.) or 3 totes

Materials of Construction

- All steel construction includes:
- 12 gauge interior walls and 14 gauge exterior walls
 - Integrated framing and structural members ensure toughness
 - 304 stainless steel construction available

Dimensions

Interior dimensions:
172.25"W x 55.25"D x 60"H
Exterior dimensions:
179.25"W x 62"D x 84"H

Insulation

3" thick, 6# density mineral wool

Heating Medium

Electricity

Heat Capacity

- 20KW (optional kw ratings available)
- 240 or 480 volt, 3 phase (additional voltages available)
- Digital temperature controller with independent high temperature cut off

Temperature Range

Room temperature to 300°F

Finish

- Exterior finished with acrylic enamel
- Interior finished with heat resistant black or silver
- Stainless steel available

Weight

4,875 lbs.

Installation

Shipped completely assembled.
Set in place and hook up power.

Air Circulation

2000 cfm air circulation blower with controls; 2 HP, TEFC

* Electric models not to be used to heat flammable or combustible materials.

* Electric models are not explosion proof rated and should not be used in hazardous locations.

* Class A ovens available for heating flammables.



Designed and
Manufactured by:

BENKO PRODUCTS
ENGINEERED TO BE MORE

Benko Products Inc. · 5350 Evergreen Pkwy · Sheffield Village, Ohio · 44054
Phone (440) 934-2180 · Fax (440) 934-4052 · email: sales@benkoproducts.com
www.benkoproducts.com



Electric Hot Box

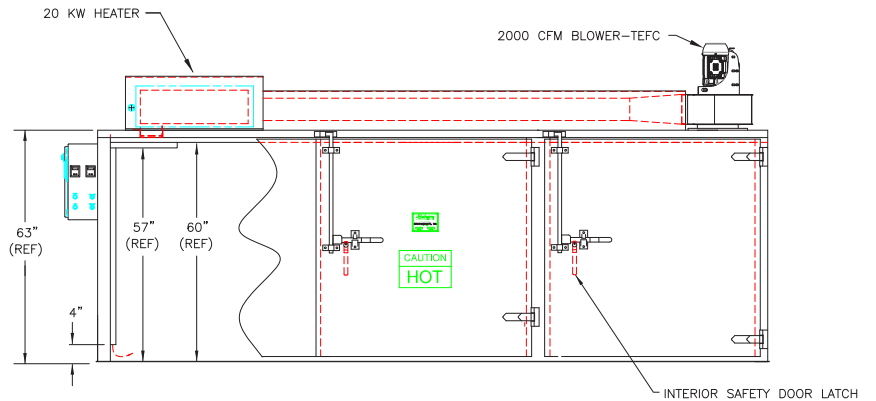
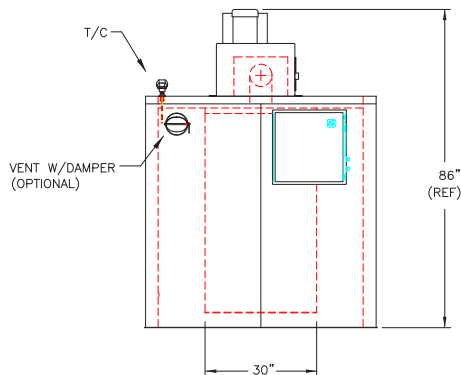
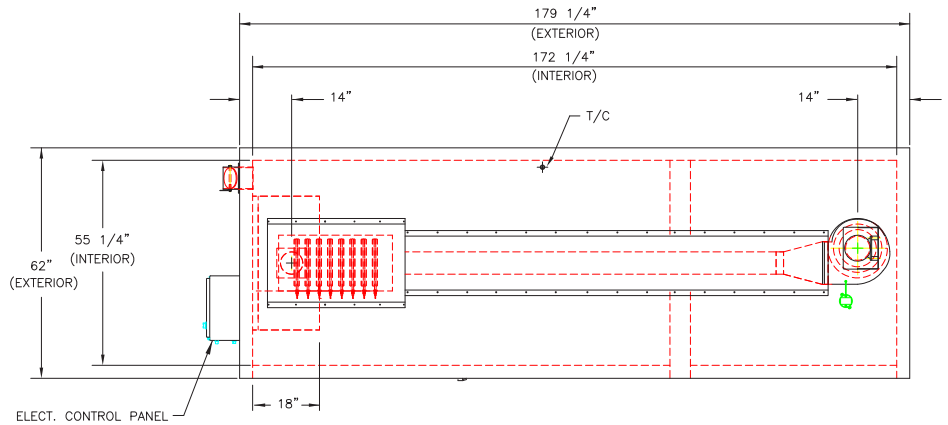
Model E012

NOTES:

1. UNIT WEIGHT: 4500 Lbs.
2. FINISH:
EXTERIOR: ACRYLIC ENAMEL
INTERIOR: HEAT RESISTANT ENAMEL
3. HEATING MEDIUM:
(8) 2.5KW ELECTRIC HEATING ELEMENTS
4. SPILL CONTAINMENT: 160 GALLONS
5. MATERIALS:
EXTERIOR: HRS, 14 GA. (.075")
INTERIOR: HRS, 12 GA. (.105")
INSULATION: 3" X 6# DENSITY MINERAL WOOL (ALL WALLS, FLOOR, CEILING AND DOORS)

OPTIONS	
2000 CFM BLOWER-TEFC	
480V - 2 HP - 3 PHASE	
PROGRAMMABLE TIMER	
DOOR/BLOWER INTERLOCK SWITCH	
VENT W/DAMPER	
INTERIOR DOOR LATCH RELEASE	
OUTDOOR PACKAGE	
CUSTOM FINISHES	
ADDITIONAL HEIGHT	
ADDITIONAL WATTAGE	

SAHARA MODEL 20E012-CS



FOR CLARITY NOT ALL FEATURES SHOWN IN ALL VIEWS



WARRANTY: All products manufactured by Benko Products, Inc. have a three (3) year warranty (unless otherwise specified) from the date of shipment against defects in workmanship or material. Any part or component, except items covered by warranties of other manufacturers, returned to the factory or service center freight prepaid by the owner, found upon examination by Benko Products, Inc. to be defective or the result of improper workmanship by the factory will be repaired or replaced without charge and returned to the owner freight prepaid by Benko Products, Inc. Any alterations of Benko Products, Inc. products void any warranty or liability on the part of Benko Products, Inc. Benko Products, Inc. does not guarantee product capacity if alterations are made.