



## Industrial Safety Gate Loading Dock Gate

The Protect-O-Gate Loading Dock Gate prevents falls from happening on your loading dock, loading bay, or any exposed edge.

This easy-to-use gate is an economical solution for providing O.S.H.A. compliant fall protection.

### Features

Our Loading Dock Gates have many unique features:

- Space saving fall protection
- Solid construction - Built to last
- Easily installed
- Operator friendly
- Can ship fully assembled
- Painted carbon steel and stainless steel models available
- Single and Double-Door models
- Custom sizing available

### Dimensions + Pricing

- 8' Door Model (SDG-08)  
Interior Dimension (clearance): 96"W
- 10' Door Model (SDG-10)  
Interior Dimension (clearance): 120"W
- 12' Door Model (SDG-12)  
Interior Dimension (clearance): 144"W

### Finishes

- Painted safety yellow
- Corosion resistant finish
- Stainless steel

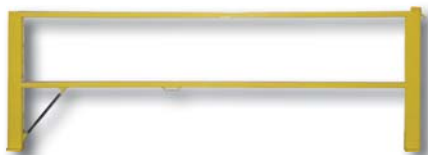
### Powered Operation

The Loading Dock Gate can also be equipped with an air-cylinder for powered operation, keeping the user at a safe distance when opening and closing the gate.

### Engineering

All Protect-O-Gate Industrial Safety Gates can be customized to meet your specific application.

Contact your sales representative for more information!



Manufactured by:

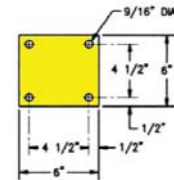
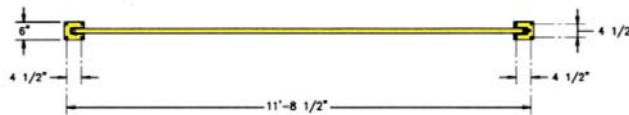
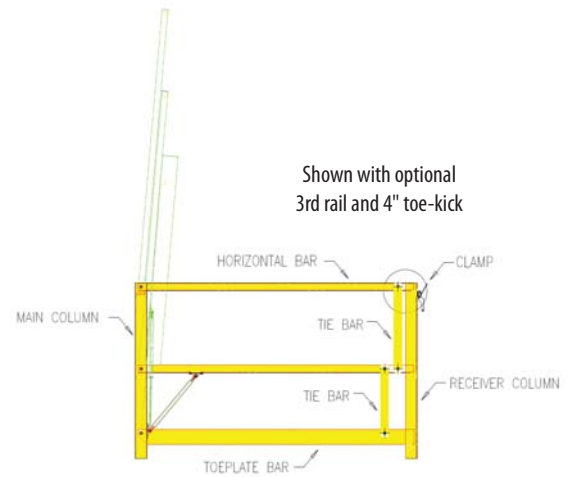
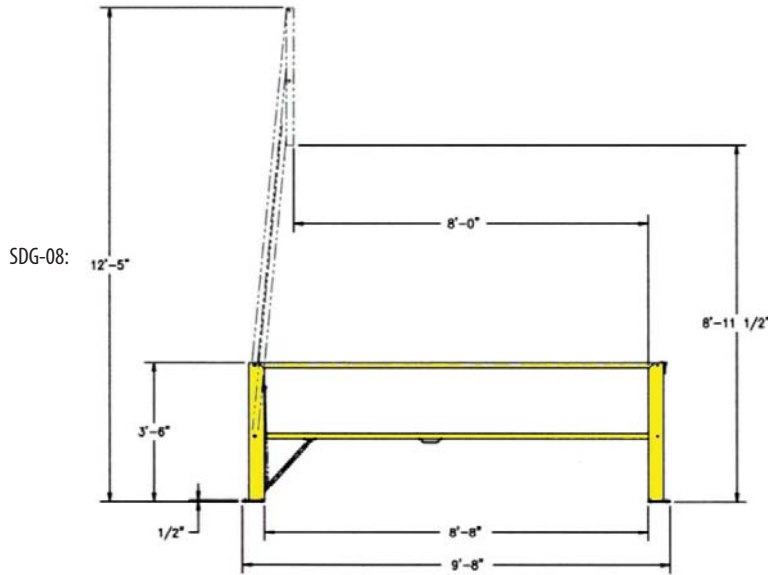
**BENKO PRODUCTS**  
ENGINEERED TO BE MORE

Benko Products Inc. · 5350 Evergreen Pkwy · Sheffield Village, Ohio · 44054  
Phone (440) 934-2180 · Fax (440) 934-4052 · email: sales@benkoproducts.com  
[www.benkoproducts.com](http://www.benkoproducts.com)



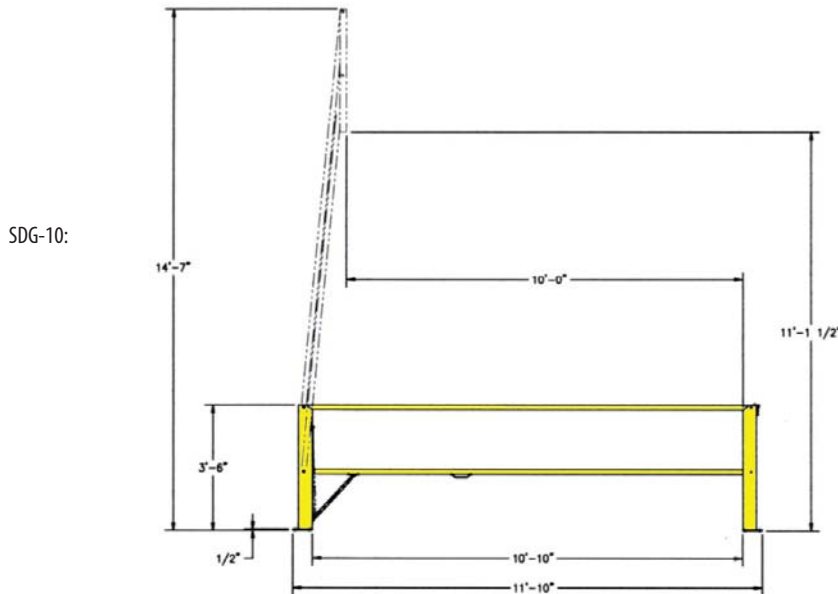
# Industrial Safety Gate

## Loading Dock Gate



DETAIL: MOUNTING PLATE

- NOTES:
1. SUPPORT RISERS TO BE CARBON STEEL CONSTRUCTION AND PAINTED SAFETY YELLOW
  2. GATE HORIZONTAL BARS TO BE ALUMINUM CONSTRUCTION AND PAINTED SAFETY YELLOW
  3. CONNECTION BOLTS TO BE ASTM A325 STRUCTURE
  4. FOUNDATION DESIGN AND ASSEMBLY BY OTHERS
  5. CUSTOMER TO VERIFY ALL DIMENSIONS
  6. APPROXIMATE WEIGHT: 50 LBS.



**BENKO PRODUCTS**  
ENGINEERED TO BE MORE

**WARRANTY:** All products manufactured by Benko Products, Inc. have a one (1) year warranty (unless otherwise specified) from the date of shipment against defects in workmanship or material. Any part or component, except items covered by warranties of other manufacturers, returned to the factory or service center freight prepaid by the owner, found upon examination by Benko Products, Inc. to be defective or the result of improper workmanship by the factory will be repaired or replaced without charge and returned to the owner freight prepaid by Benko Products, Inc. Any alterations of Benko Products, Inc. products void any warranty or liability on the part of Benko Products, Inc. Benko Products, Inc. does not guarantee product capacity if alterations are made.